

Aluminium Anode

Aluminium anodes are a type of anode that can be used safely in all types of water; it has a very high current capacity which makes it very attractive in terms of cost and weight saving. It is highly recommended for use in low- resistivity applications. However, they can also be used for effective corrosion protection for the structures in fresh and brackish water.

Jennings Anodes USA's anodes are produced from high purity base materials and designed for optimum performance under various environment. We offer aluminium anodes for cathodic protection in many applications, such as ship hull, ballast tank, pilling, piers, offshore platform, etc.

Features:

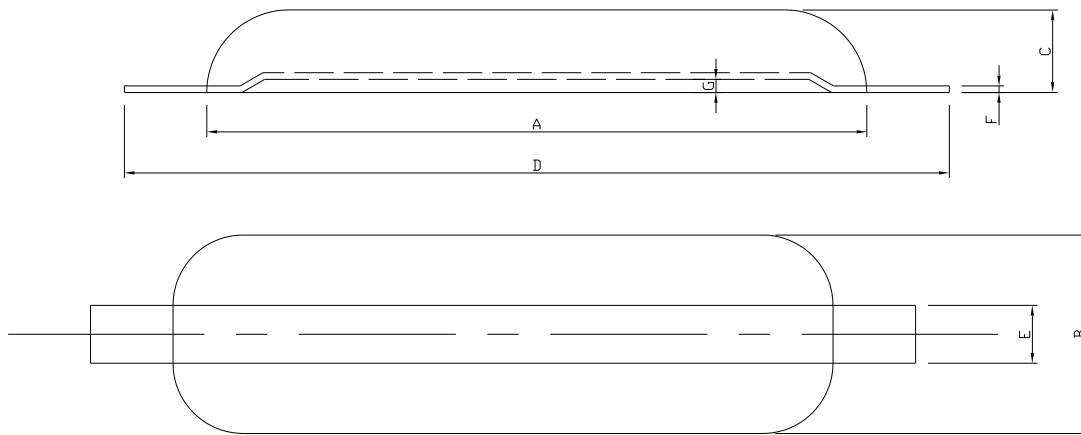
- DNV type approval
- Longer performance
- Honda and Total Approved
- Highly cost-effective
- Easy installation and replacement
- Customized designs

Specifications:

Chemical and Electrochemical Properties						
Standard		GALVALUM III	DNV RP B401	GS EP COR 201		
Design Requirements	Chemical Composition					
	Zinc	2.0-6.0%	2.5-5.75%	2.5-6.0%		
	Indium	0.01-0.02%	0.015-0.040%	0.015-0.030%		
	Cadmium	--	0.002% Max	--		
	Silicon	0.08-0.20%	0.12% Max	0.10% Max		
	Iron	0.13% Max	0.09% Max	0.09% Max		
	Copper	0.006% Max	0.003% Max	0.005% Max		
	Others	0.10% Max	0.10% Max	0.10% Max		
	Aluminium	Remainder	Remainder	Remainder		
	Electrochemical Properties					
Open Circuit Potential	Closed Circuit Potential	Actual Capacity	Current Efficiency	Consumption RateKg/(A.a)	Solubility property	
-1.05 to -1.18(V) SSC	-1.05 to -1.12(V) SSC	2300- 2600	≥90	≤3.37	Surfaces dissolution uniformly	

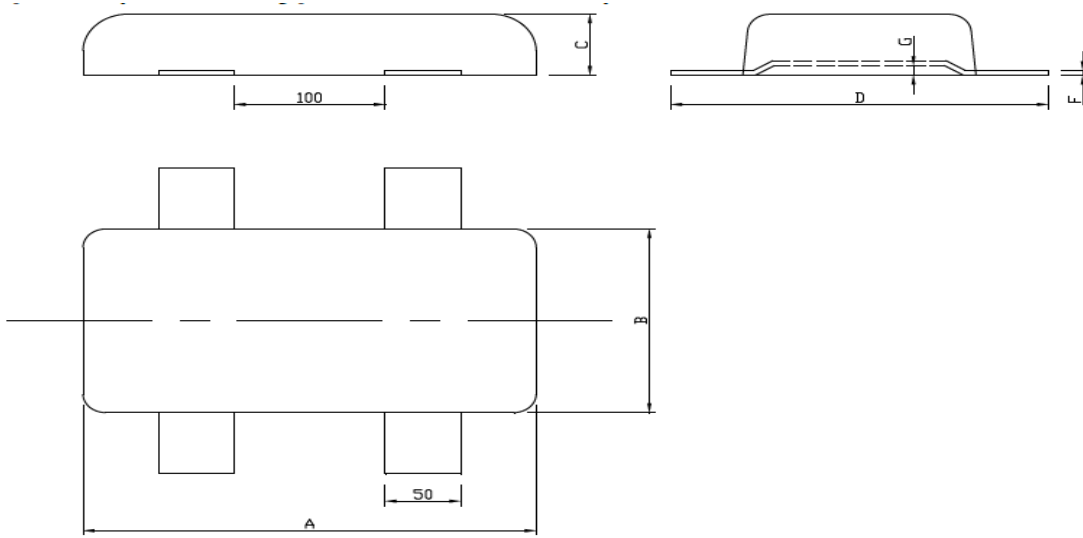
Dimension and Weight:

Ship Hull (Weld on type w/ single insert)



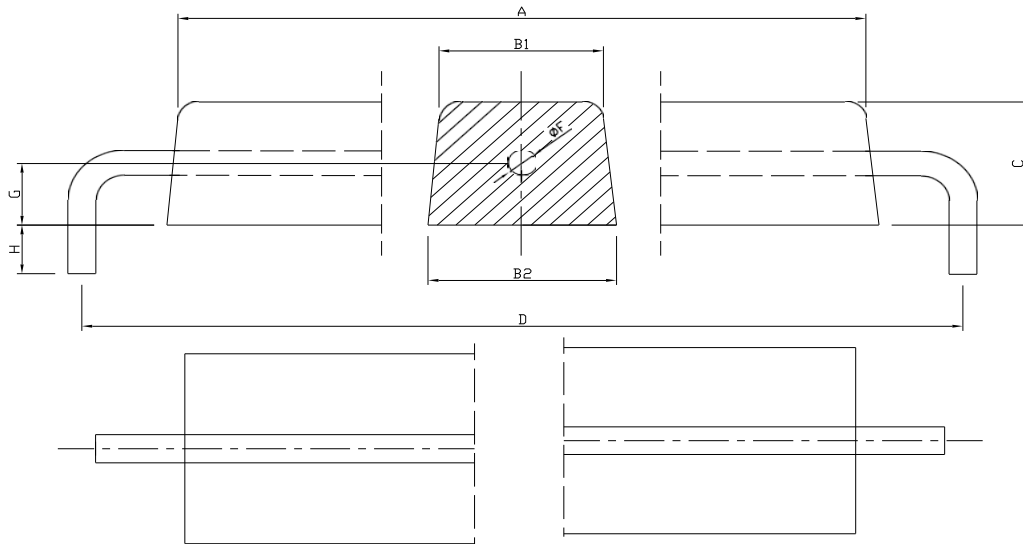
Type	Specification / mm	Steel insert / mm				N.W. kg (lbs)	G.W. kg (lbs)
	A X B X C	D	E	F	G		
JAU-AL-V01	800 x 140 x 60	900	45	4-6	8-10	15.4 (34)	17.0 (37)
JAU-AL-V02	800 x 140 x 50	900	45	4-6	6-8	13.4 (30)	15.0 (33)
JAU-AL-V03	800 x 140 x 40	900	45	4-6	5-6	10.5 (23)	12.0 (26)
JAU-AL-V04	600 x 120 x 50	700	40	4-6	6-8	9.0 (19)	10.0 (22)
JAU-AL-V05	500 x 140 x 40	580	40	4-6	5-6	5.5 (12)	6.5 (14)
JAU-AL-V06	400 x 100 x 40	580	40	4-6	5-6	4.6 (10)	5.5 (12)
JAU-AL-V07	300 x 100 x 40	360	30	3-4	5-6	3.2 (7)	3.5 (8)
JAU-AL-V08	250 x 100 x 40	310	30	3-4	5-6	2.2 (5)	2.5 (6)
JAU-AL-V09	180 x 70 x 35	230	25	3-4	5-6	1.0 (2)	1.2 (3)

Ship Hull (Weld on type w/ double insert)



Type	Specification / mm	Steel insert / mm				N.W. kg (lbs)	G.W. kg (lbs)
	A X B X C	D	E	F	G		
JAU-AL-D01	300 x 150 x 50	360	30	4-5	5-6	5.0 (11)	5.8 (13)
JAU-AL-D02	300 x 150 x 40	360	30	4-5	5-6	3.8 (8)	4.6 (10)

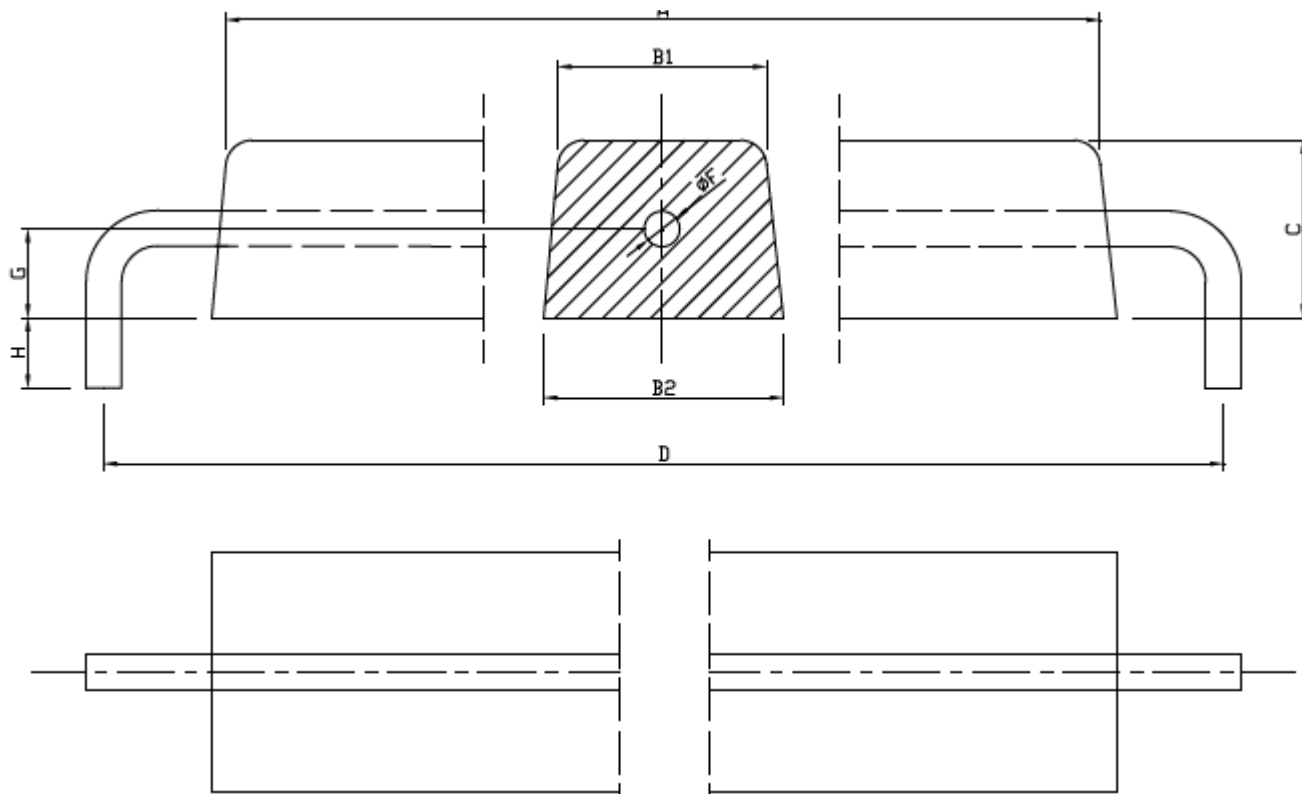
Ballast Tank:



Type	Specification / mm A X (B ₁ + B ₂) X C	Steel insert / mm					N.W.		G.W.	
		D	E	F	G	H	kg	(lbs)	kg	(lbs)
JAU-AL-B01	1500X(65+75)X70	1800	-	Φ 16	20	40	19.8	(44)	21.5	(55)
JAU-AL-B02	500X(115+135)X130	800	50	6	40	60	20.5	(45)	23.0	(51)
JAU-AL-B03	500X(110+130)X120	800	50	6	40	60	18.0	(40)	20.0	(44)
JAU-AL-B04	1000X(58.5+78.5)X68	1300	-	Φ 16	20	40	12.0	(25)	13.2	(29)
JAU-AL-B05	800X(56+74)X65	1100	-	Φ 16	20	40	9.0	(20)	10.0	(22)
JAU-AL-B06	1150X(48+54)X51	1450	-	Φ 12	15	35	7.6	(17)	9.0	(18)

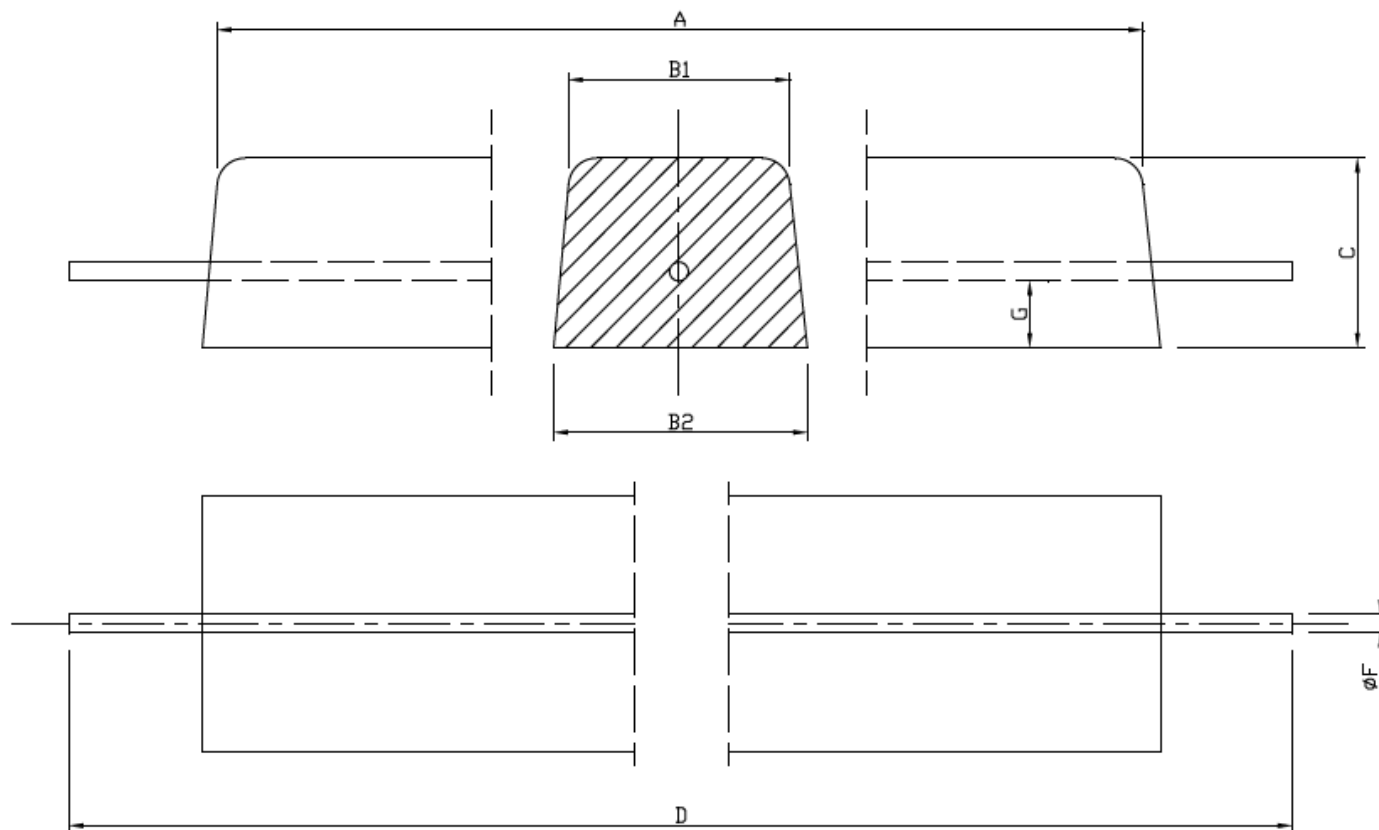
Remark: Insert of JAU-AL-B01, JAU-AL-B04, JAU-AL-B05, JAU-AL-B06 is solid rod.

Marine Structure:



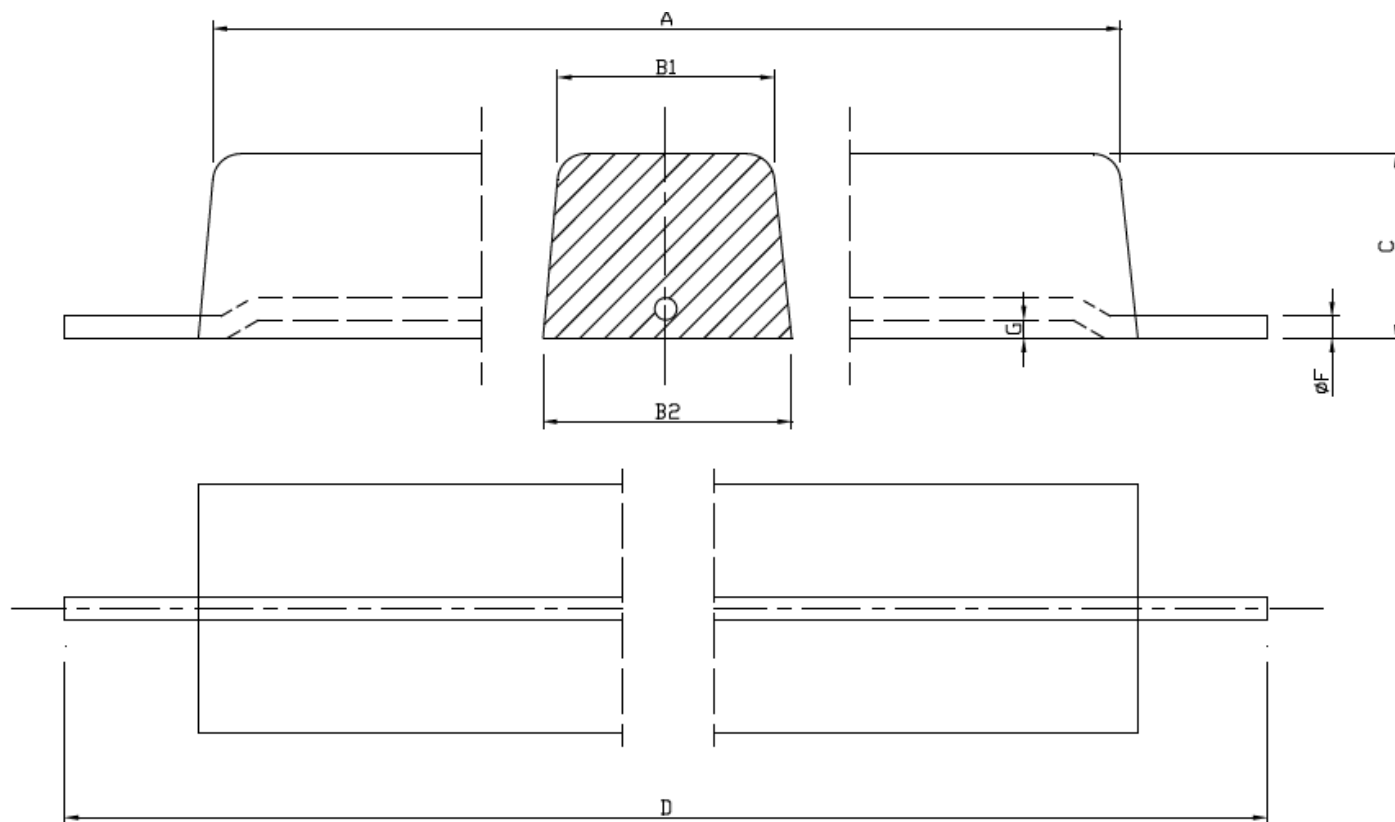
Modle	Specification / mm A X (B ₁ + B ₂) X C	Steel insert / mm				N.W.		G.W.	
		D	E	F	G	kg	(lbs)	kg	(lbs)
JAU-AL-S01	2300X(220+240)X230	2500	60	300	110	294.0	(648)	310.0	(683)
JAU-AL-S02	1600X(200+210)X220	1800	60	300	90	181.0	(390)	190.0	(419)
JAU-AL-S03	1500X(170+200)X180	1700	50	300	80	122.0	(269)	130.0	(287)
JAU-AL-S04	900X(150+170)X160	1100	40	300	70	55.0	(121)	58.0	(128)

Port Structure:



Model	Specification / mm	Steel Bar / mm			Flat Bar / mm				N.W.		G.W.	
	A X (B ₁ + B ₂) X C	D	F	G	D	E	F	G	kg	(lbs)	kg	(lbs)
JAU -AL-T01	1500X(148+178)X170	1800	25	65	1800	50	8	65	114.0	(251)	120.0	(265)
JAU -AL-T02	850X(180+220)X180	1100	25	70	1100	60	8	70	80.0	(176)	85.0	(187)
JAU -AL-T03	800X(200+280)X150	1050	25	55	1050	60	8	55	76.0	(168)	80.0	(176)
JAU -AL-T04	700X(160+220)X180	950	22	70	950	60	8	70	68.5	(151)	72.5	(160)
JAU -AL-T05	1250X(115+135)X130	1500	18	45	1500	40	8	45	52.0	(114)	56.0	(123)
JAU -AL-T06	1000X(115+135)X130	1250	18	45	1250	40	8	45	42.6	(28)	46.0	(35)
JAU -AL-T07	750X(115+135)X130	1000	16	45	1000	40	6	45	33.0	(73)	35.0	(77)
JAU -AL-T08	500X(115+135)X130	750	16	45	750	40	4	45	22.0	(48)	23.0	(51)

Internal Storage Tank:



Type	Specification / mm	Steel insert / mm			N.W. kg (lbs)	G.W. kg (lbs)
	A X (B1 + B2) X C	D	F	G		
JAU-AL-S08	750X(115+135)X130	900	16	8-10	32.0 (71)	35.0 (77)
JAU-AL-S09	500X(115+135)X130	650	16	8-10	22.0 (49)	23.0 (51)
JAU-AL-S10	500X(105+135)X100	650	16	8-10	15.0 (33)	16.0 (35)
JAU-AL-S11	300X(105+135)X100	400	12	8-10	9.7 (21)	10.0 (22)