

# PLASTIC REBAR CLIP



CELEBRATED ENTERPRISE IN CATHODIC PROTECTION



JENNINGS ANODES

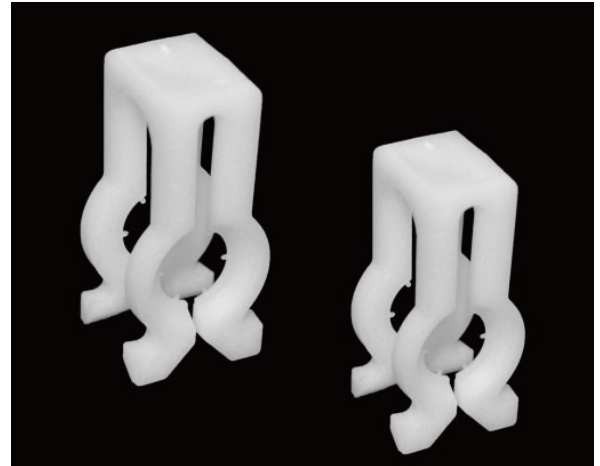
# PLASTIC REBAR CLIP

## DATA SHEET

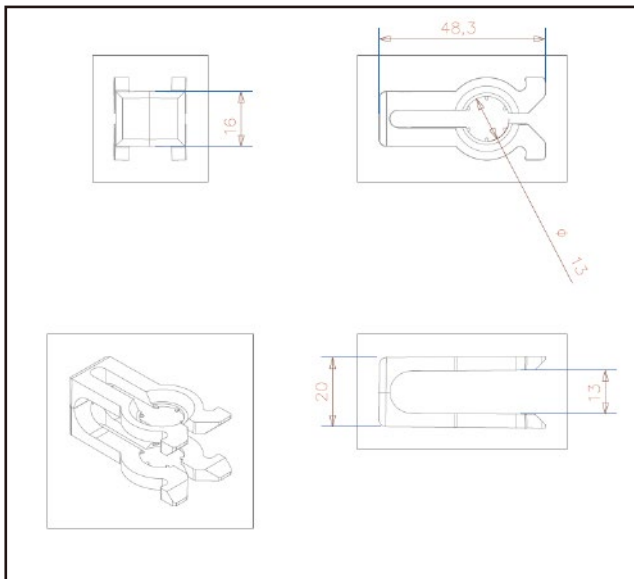
Our plastic rebar clip is made of polycaprolactam, used for preventing electrical short circuits between MMO mesh ribbon anodes and reinforcing rebar. Using plastic cable tie can keep more stable for the anode.

## MATERIAL

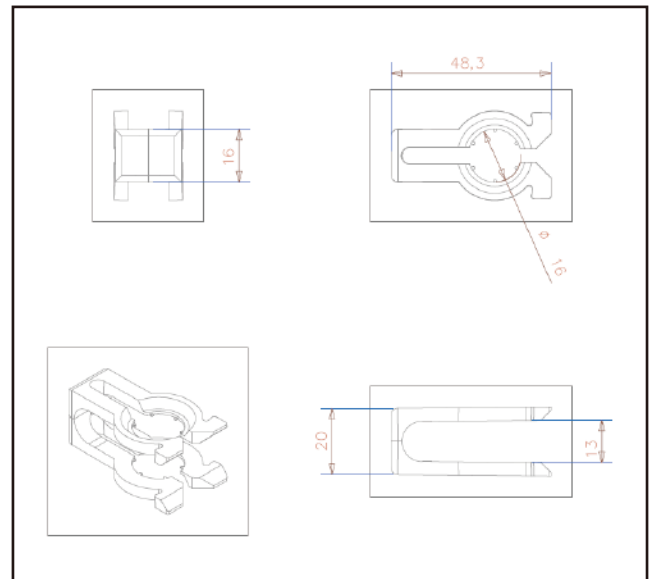
Technical Measurement	Standard	Confirmation Method
Water Content (mass fraction)	0.06% max	Q/SH 1130 301-2018
Low Molecular Material Content	0.6 max	Q/SH 1130 301-2018



## SPECIFICATIONS



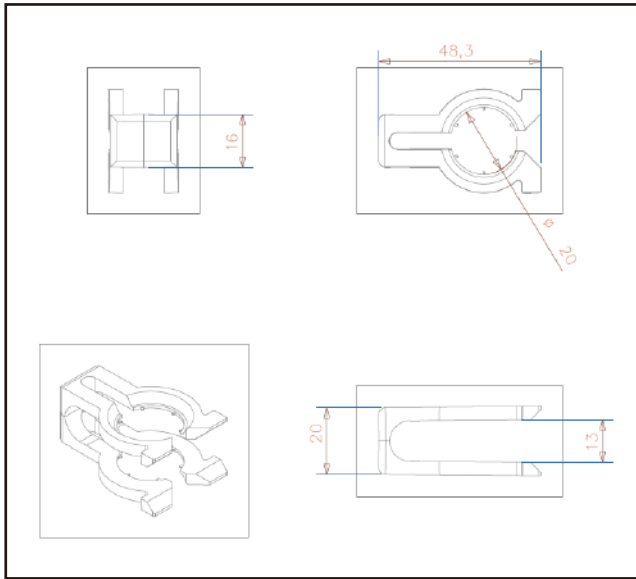
Small Size (Suitable for 12-16mm rebar)



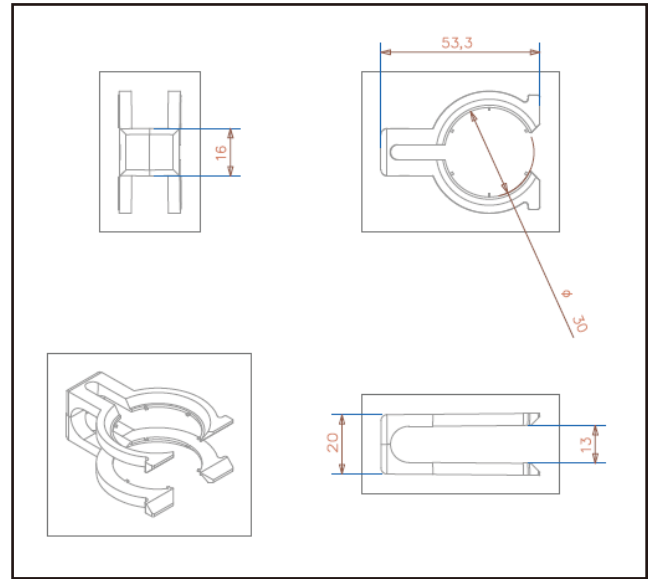
Standard Size (Suitable for 16-20mm rebar)

# PLASTIC REBAR CLIP

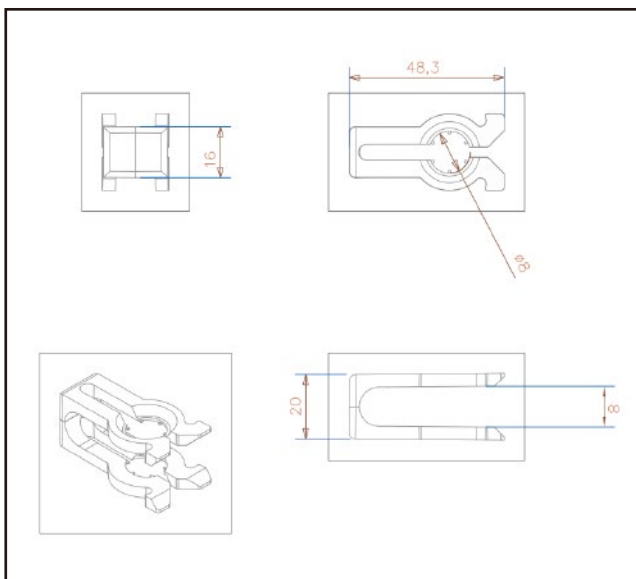
## DATA SHEET



Medium Size (Suitable for 20-25mm rebar)



Large Size (Suitable for 30-35mm rebar)



Mini Size (Suitable for 8-12mm rebar)



# Worldwide Service Network

Our worldwide network of sales and service centers can provide immediate advice and assistance on the complete range of products.

## Global Headquarter

3115 Fry Road Ste 303, Katy, Texas 77449, United States

Email: [sales@jenningsanodes.com](mailto:sales@jenningsanodes.com)  
Tel: +1 (281) 501 8398 / +1 (713) 799 3884

[www.jenningsanodes.com](http://www.jenningsanodes.com)

## UK Office

Tatham Street, Hendon, Sunderland SR1 2AG, United Kingdom

Email: [sales@jenningsanodes.co.uk](mailto:sales@jenningsanodes.co.uk)  
Tel: +44 (0) 191 510 8843  
Fax: +44 (0) 191 514 7749

[www.jenningsanodes.co.uk](http://www.jenningsanodes.co.uk)

## Asia Pacific Office

120 Lower Delta Road, #07-13 Cendex Centre, Singapore 169208

Email: [inquiries@jenningsanodes.com](mailto:inquiries@jenningsanodes.com)  
Tel: +65 6715 1514



View Our Website



Follow Us On LinkedIn